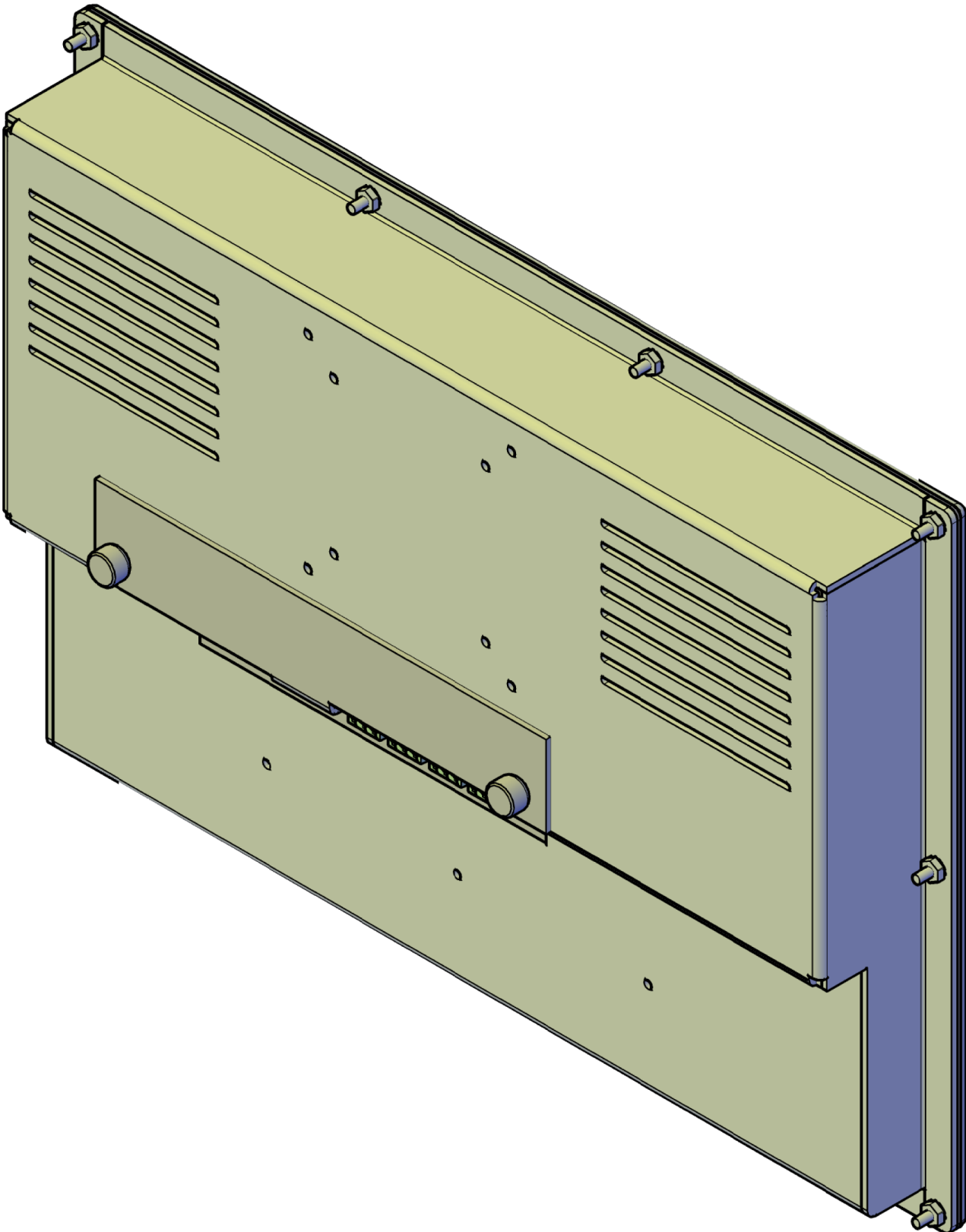
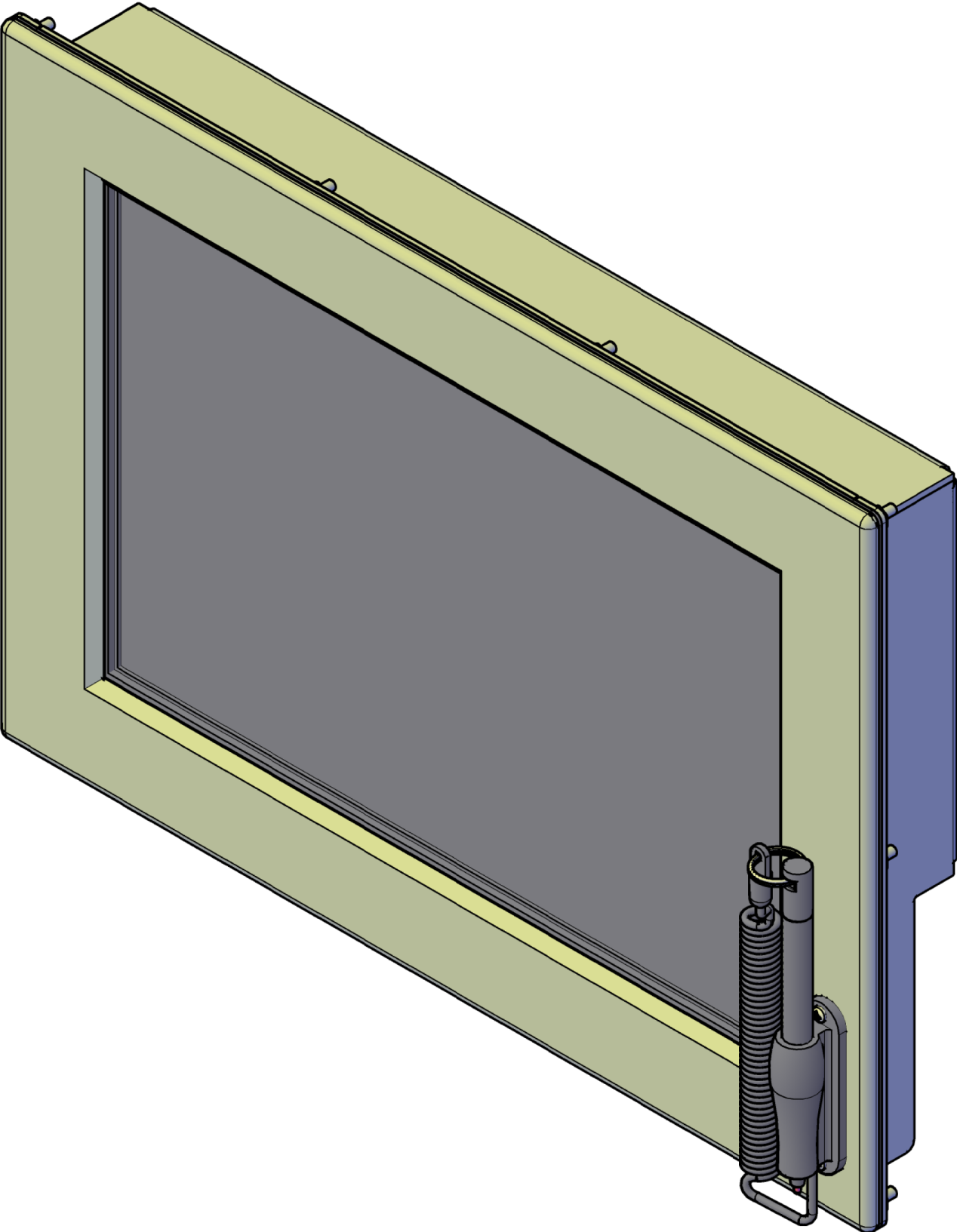


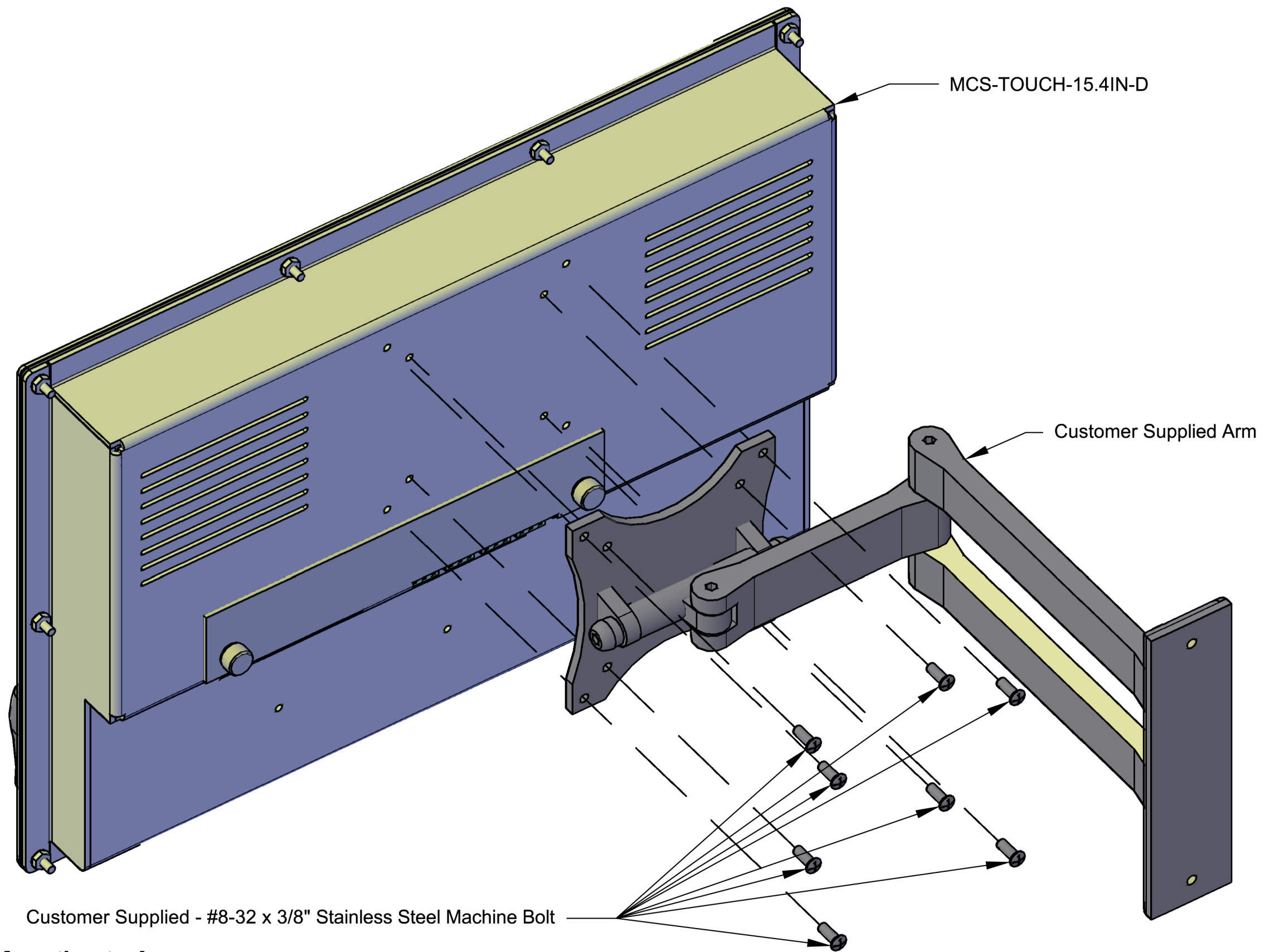
MCS-TOUCH-15.4IN-D



MCS-TOUCH-15.4IN-D Installation Drawing		
Desc.	Assembly Drawing	
CAD Tech	I.Mitchell	© 2017
Date	June 29, 2018	
Revision	C	Page 1 of 3



As Shipped



Customer Supplied - #8-32 x 3/8" Stainless Steel Machine Bolt

Alternative Mounting: Mounting to Arm

- A) Aline Mounting holes on MCS-TOUCH-15.4IN-VERSA-MOUNT with Mounting holes on the Customer Supplied Arm.
- B) Secure MCS-TOUCH-15.4IN-D and Customer Supplied Arm with #8-32 x 7/16" Stainless Steel Machine Bolt (Qty: 8).
(Note: Only #8-32 x 7/16" Stainless Steel Machine Bolts are required for mounting, using either the interior or exterior mounting holes.)

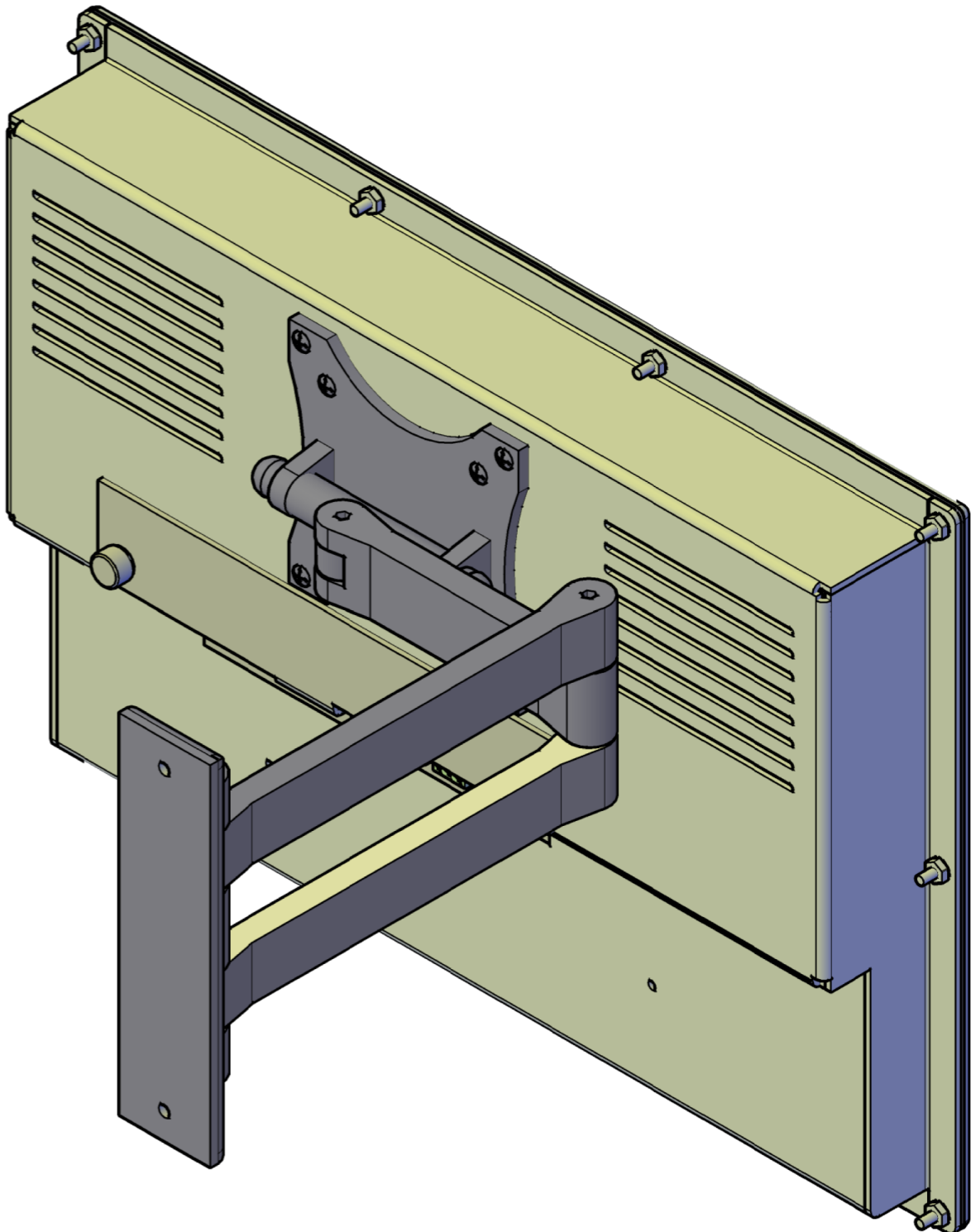
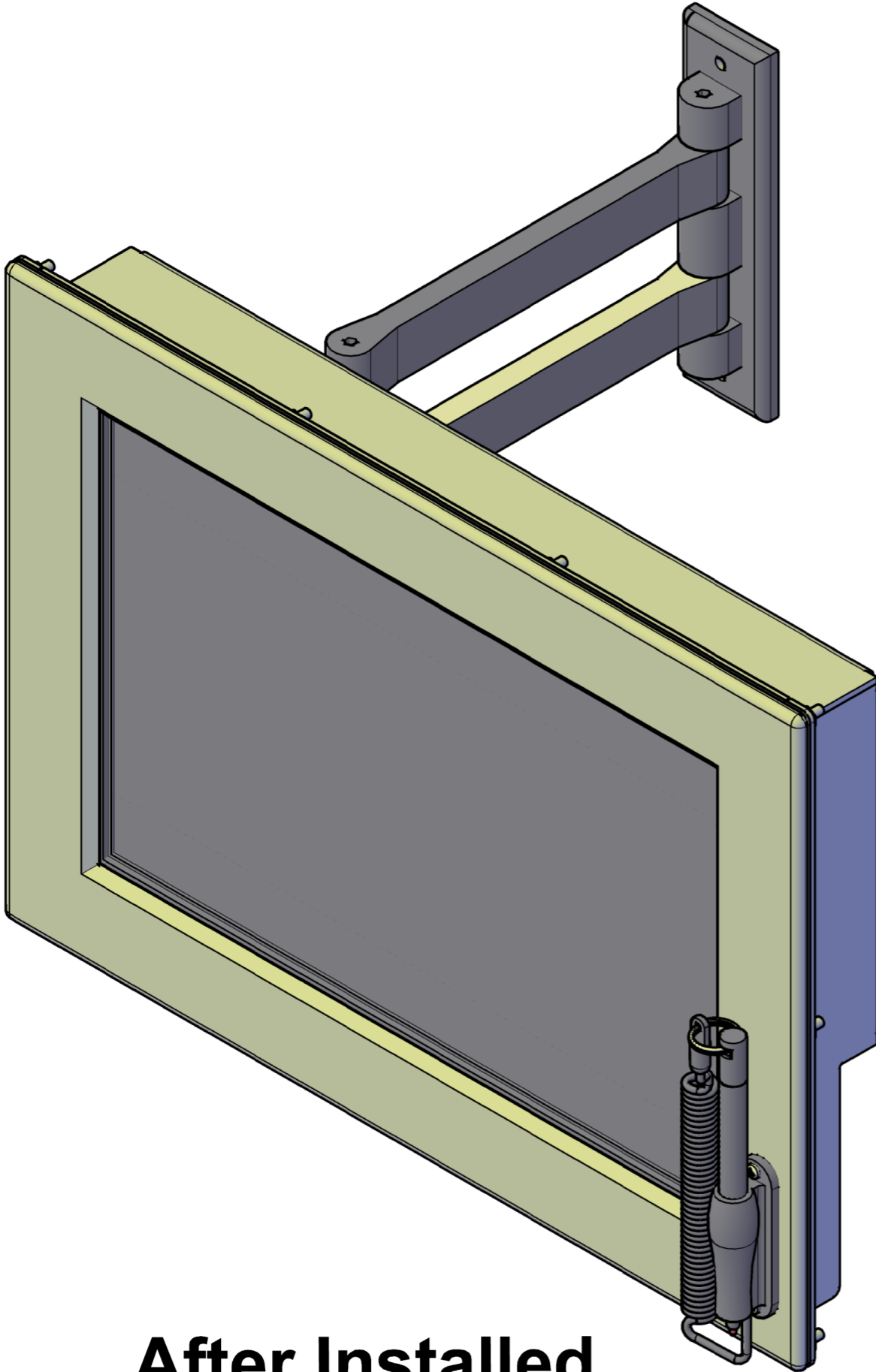
Desc.	Arm Mounting	© 2017
CAD Tech	I.Mitchell	
Date	June 27, 2018	
Revision	C	Page 2 of 3



MCS-TOUCH-15.4IN-D



MCS-TOUCH-15.4IN-D Installation Drawing		
Desc.	Assembly Drawing	
CAD Tech	I.Mitchell	© 2017
Date	June 29, 2018	
Revision	C	Page 3 of 3



After Installed